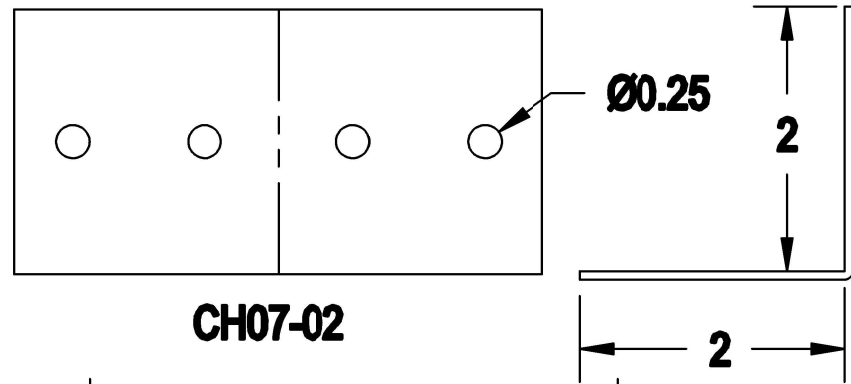
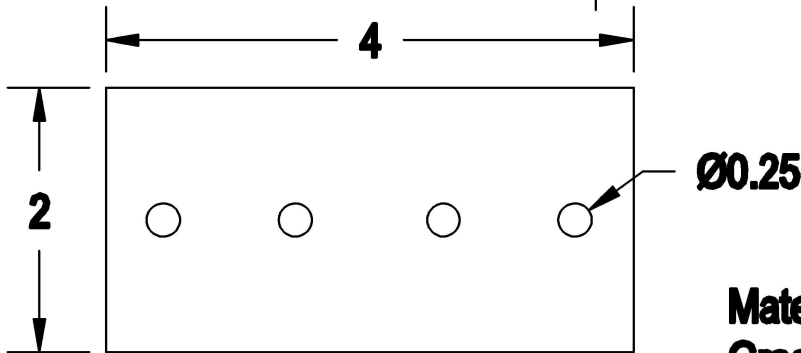


**CH07-03**

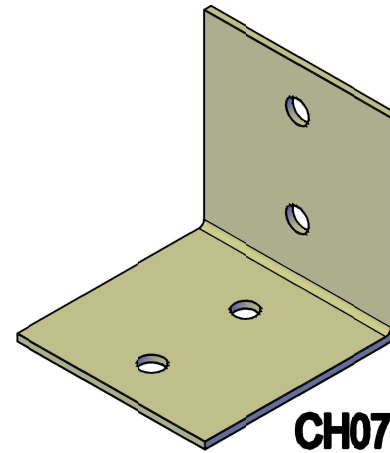


**CH07-02**

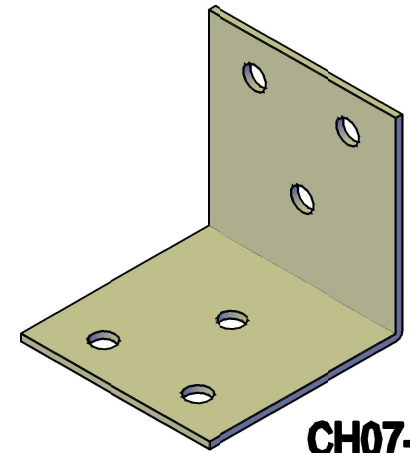


**CH07-01**

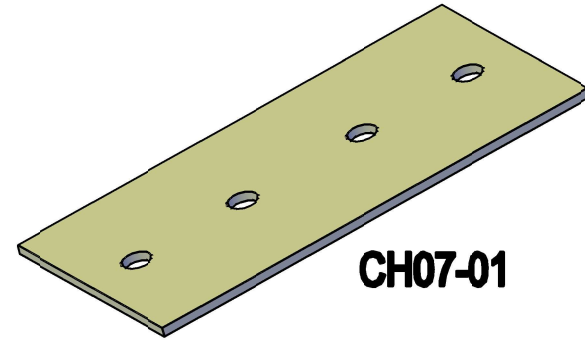
**Material 14 ga. G60 Galv.  
Grade 40**



**CH07-02**



**CH07-03**



**CH07-01**

TOLER. UNLESS SPECIFIED:		CH MACHINE	
ANGLES:	$\pm 0' 30''$	P.O. BOX 588	
FRACTIONS:	$\pm 1/64$	VERNON, ALABAMA 35592	
2 PLACE DECIMALS:	$\pm .010$	TITLE:	
3 PLACE DECIMALS:	$\pm .005$	<b>CH07-01, 02 &amp; 03</b>	
REF.:		SIZE:	<b>B</b>
DATE:		REV:	<b>1</b>
DRAWN BY:		SCALE:	1=1   SHEET 1 OF 1   DRAWN BY:
		REFERENCE:	